

# PreciMA 500 Measuring System

for light fuel, diesel, vegetable and engine oil  
1 ... 500 mPas



**Alfons Haar**

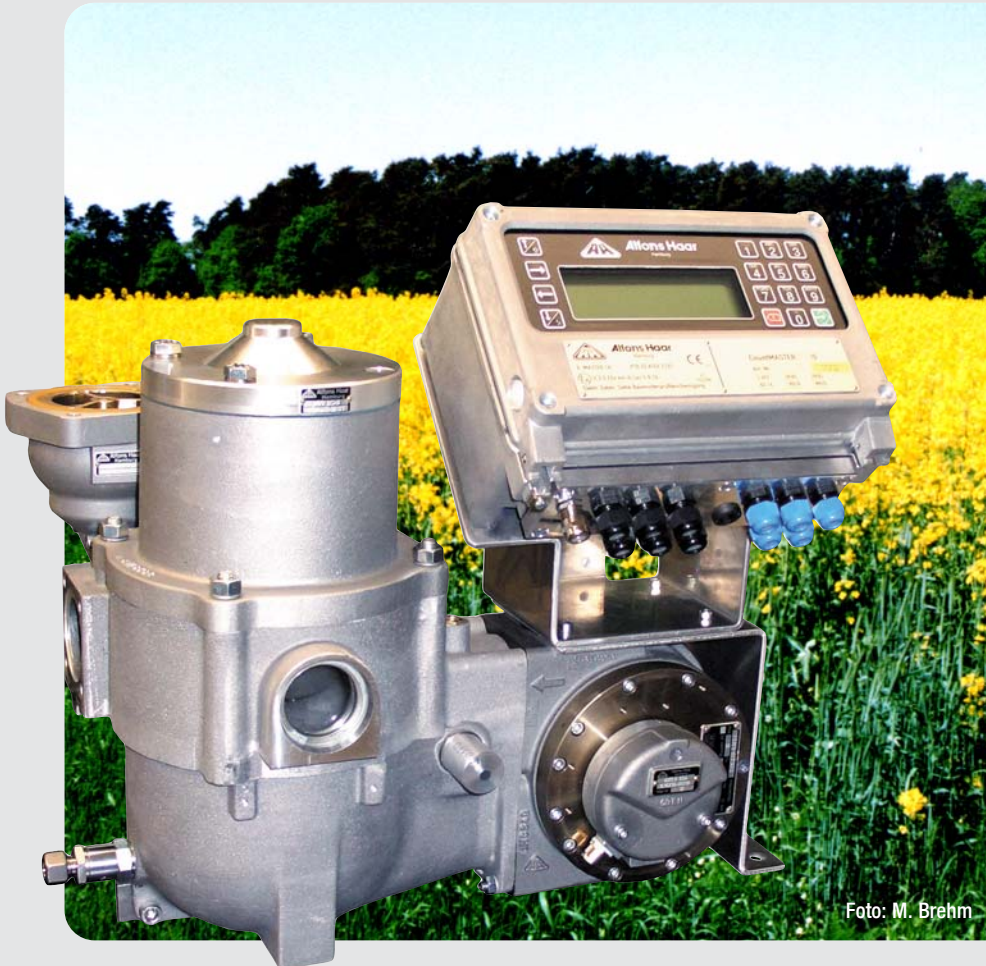


Foto: M. Brehm

## Technical

- measuring system for pump operation with vapour return to the tank
- approved for liquids except water, from 1 to 500 mPa·s
- max. flow rate 500 l/min  
(flow rates achievable for more viscous products depending on viscosity and flow resistance of discharge distance)
- low dead stock at product change (e. g. 4 liter)  
(for different products flushing or cleaning, as necessary)

## Optional

- scope of delivery includes holder, mounting equipment, and connections for CountMASTER
- overflow prevention
- second hose connection
- optional connection to second measuring system at electronic counter CountMASTER

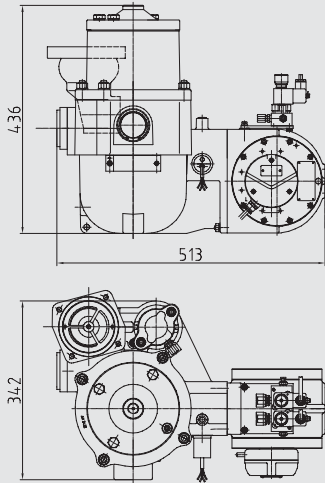
<b>Physikalisch-Technische Bundesanstalt</b>		<b>PTB</b>		
Braunschweig und Berlin				
				
<b>Innerstaatliche Bauartzulassung</b>				
Type-approval certificate under German law				
Zulassungsinhaber: Issued to:	Alfons Haar Maschinenbau GmbH & Co. Fangdeckerstr. 67 22547 Hamburg			
Rechtsgrundlage: In accordance with:	§ 13 des Gesetzes über das Mess- und Eichwesen (Eichgesetz) vom 23. März 1992 (BGBl. I S. 711), zuletzt geändert am 25.11.2003 (BGBl. I S. 2304)			
Bauart: In regard of:	Messanlage auf Straßenkankwägen PreciMA 500			
Zulassungszeichen: Approval mark:	<table border="1" style="display: inline-table;"><tr><td style="padding: 2px;">8.111</td></tr><tr><td style="padding: 2px;">05.09</td></tr></table>		8.111	05.09
8.111				
05.09				
Gültig bis: Valid until:	unbefristet			
Anzahl der Seiten: Number of pages:	16			
Geschäftszeichen: Reference No.:	PTB-1.5-402132			
Im Auftrag By order:	 Thomas Konrath			
	Braunschweig, 21.12.2005 			
<small>Merkmale zur Bauart sowie ggf. statische Beschränkungen, Auflagen und Bedingungen sind in der Anlage beigefügt, die Bestandteil der innerstaatlichen Bauartzulassung ist. Hinweise und eine Fehlerkorrekturmeldung sollten sich auf die ersten Seiten der Anlage beziehen. Characteristics of the instrument type approval, restrictions as to the country, special conditions and approval conditions, if any, are set out in the Annex which forms an integral part of the type-approval certificate under German law. For notes and information on legal remedies, see 3rd page of the Annex.</small>				

# PreciMA 500 Measuring System

for light fuel, diesel, vegetable and engine oil  
1 ... 500 mPas



**Alfons Haar**



## TECHNICAL DATA

- weight: approx. 28 kg
  - max. flow rate: 500 l/min
  - measuring minimum: 200 l
  - min. flow rate: 60 l/min
- alternate
- max. flow rate: 250 l/min
  - measuring minimum: 50 l
  - min. flow rate: 50 l/min

Alfons Haar provides a **2 Years warranty** for the CountMASTER!  
Modern casting technology assuring persistent reliability.



Incapsulated electronic



CountMASTER facilitates connection of second measuring system.

## Optional

Attachment of PreciMIX for additives,  
small construction, AI approved, self priming  
from low lying additive container.

